

**Milwaukee**<sup>®</sup>

Nothing but **HEAVY DUTY**<sup>®</sup>.



# **PFH 26**

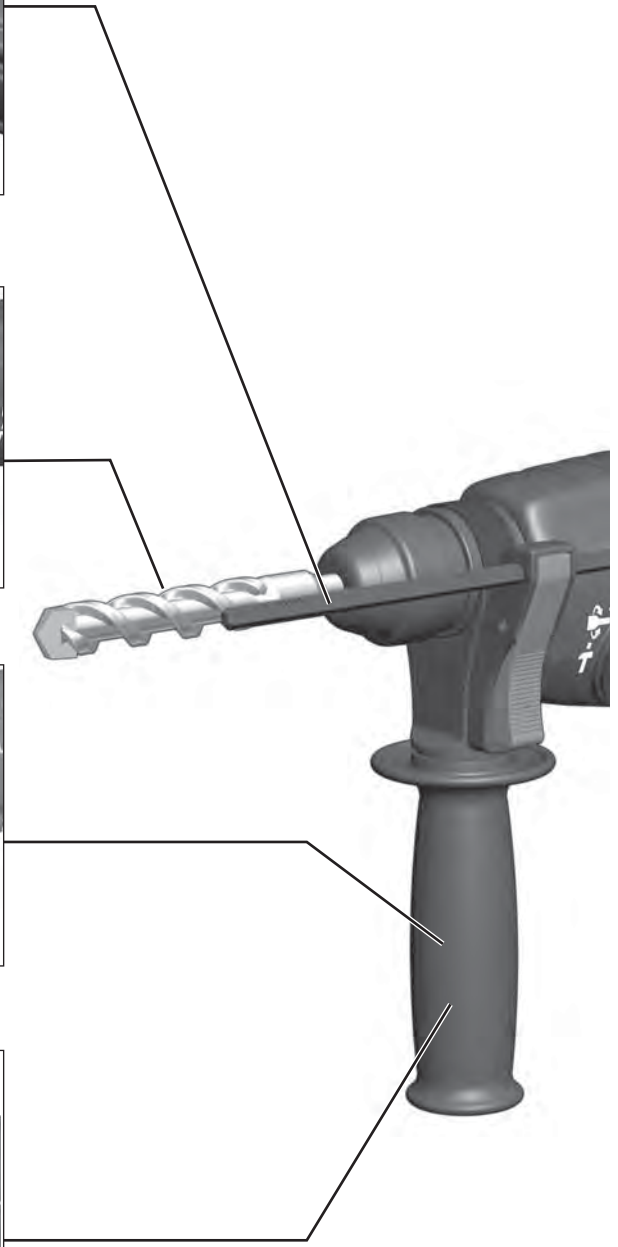
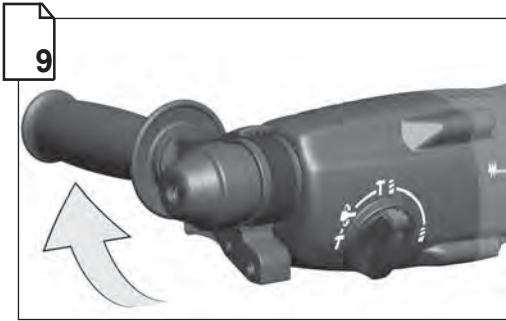
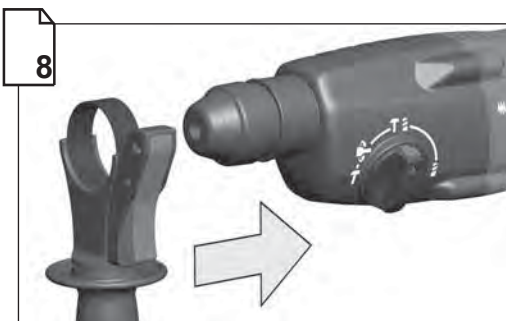
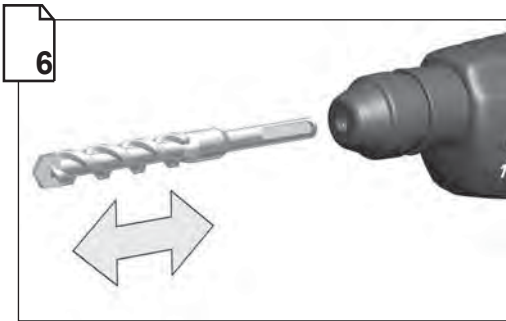
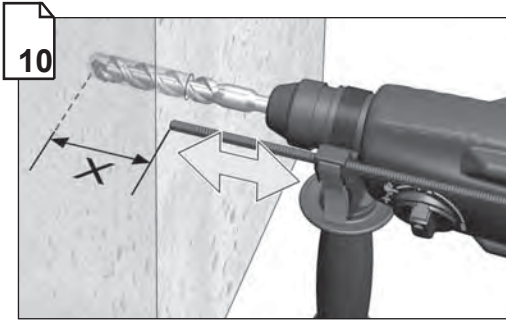
# **PH 26**

---

Original instructions







13  
14

PH 26



13

PFH 26



12

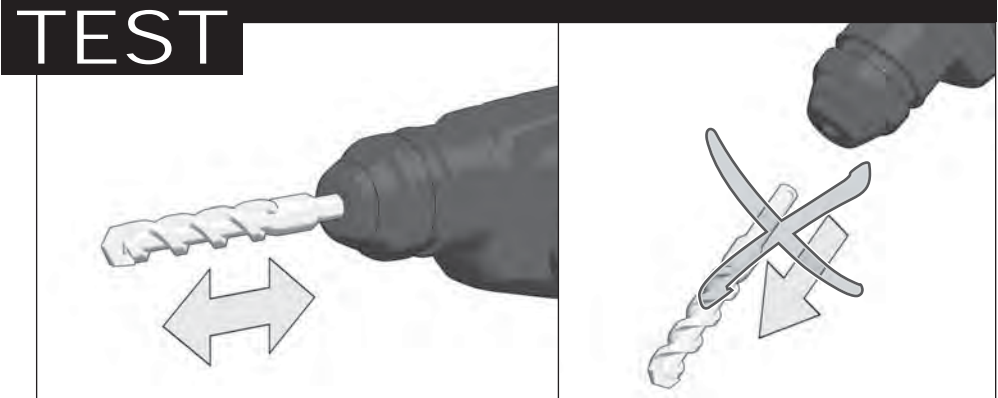
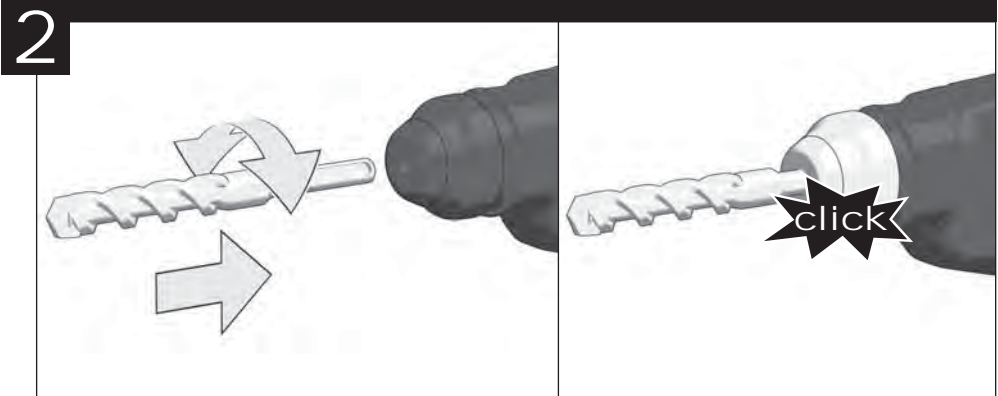
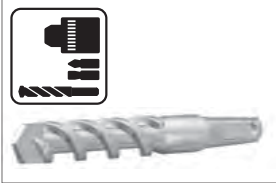
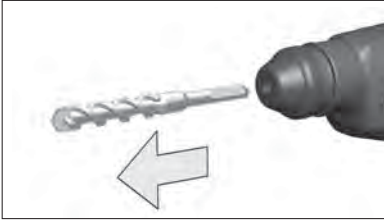


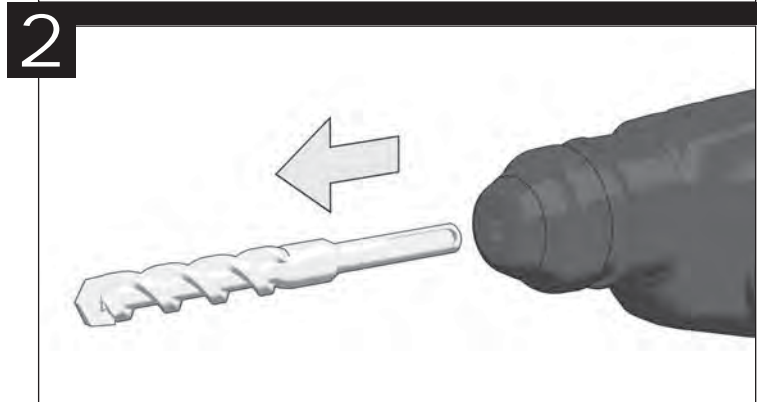
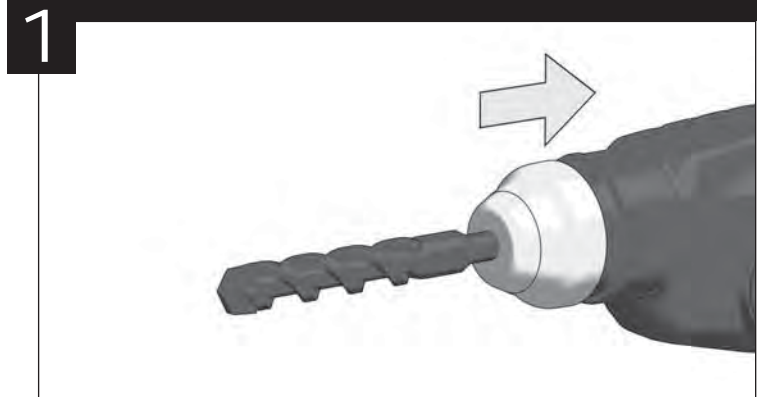
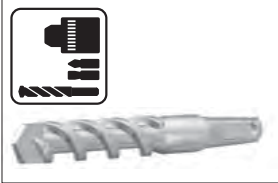
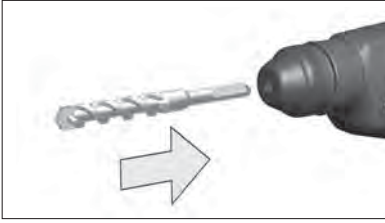
11

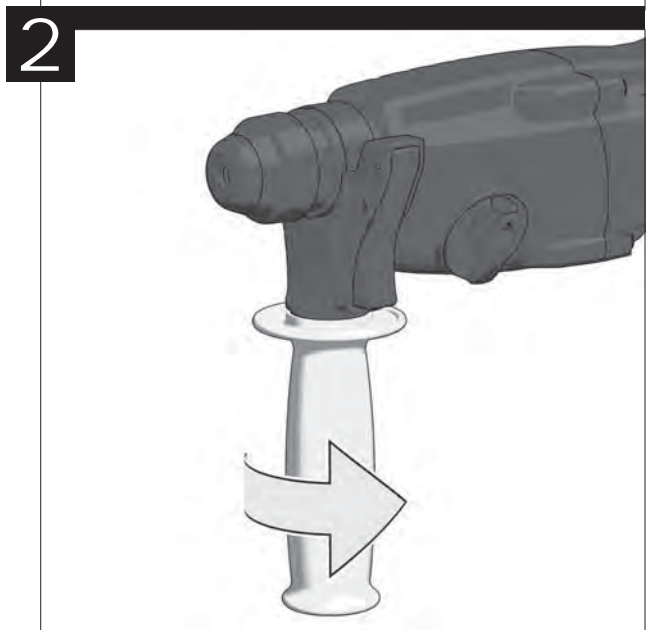
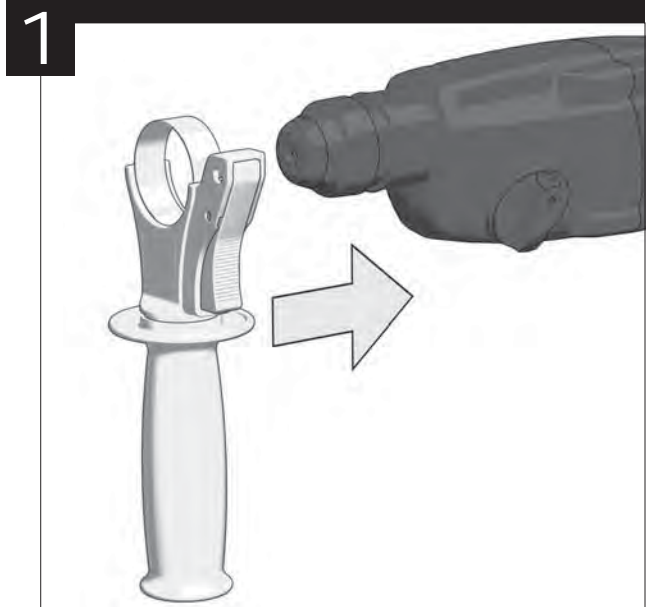
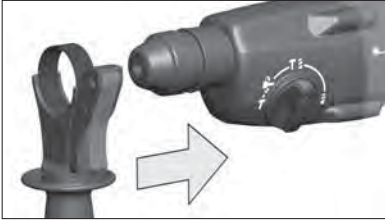


15

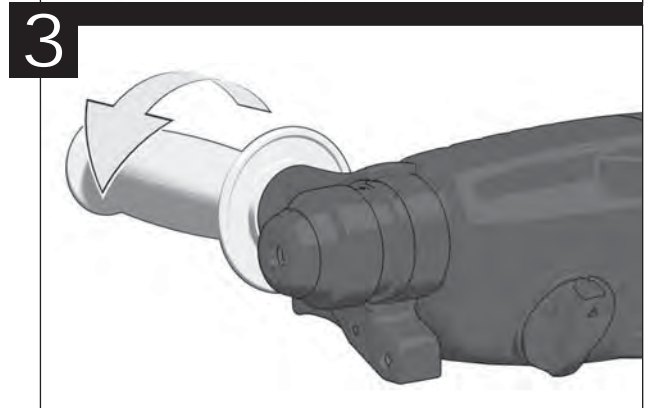
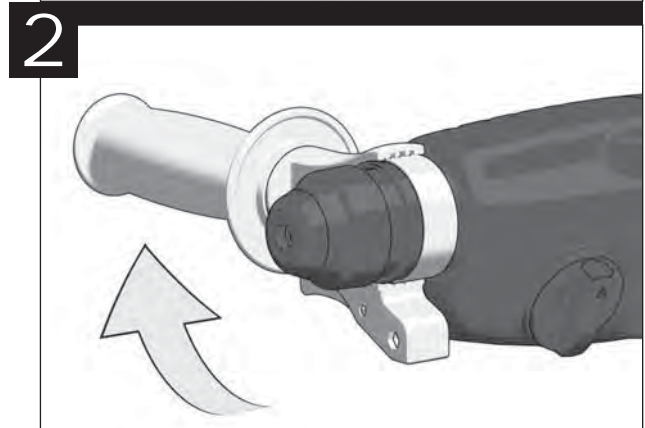
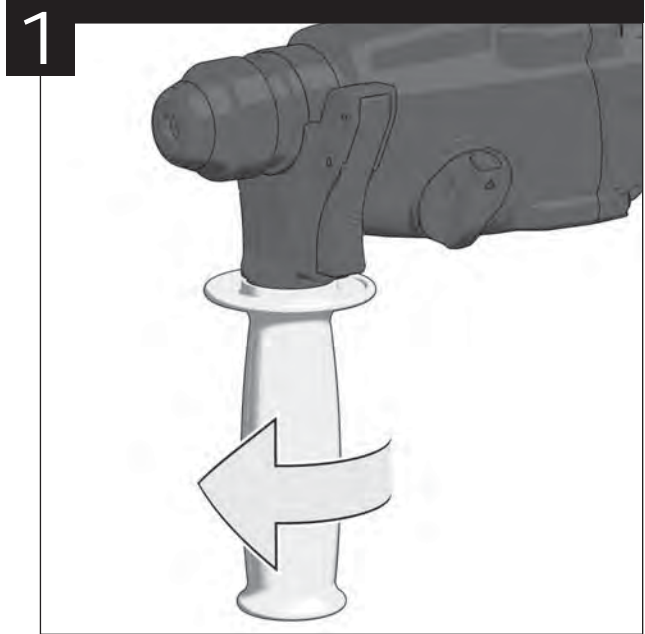


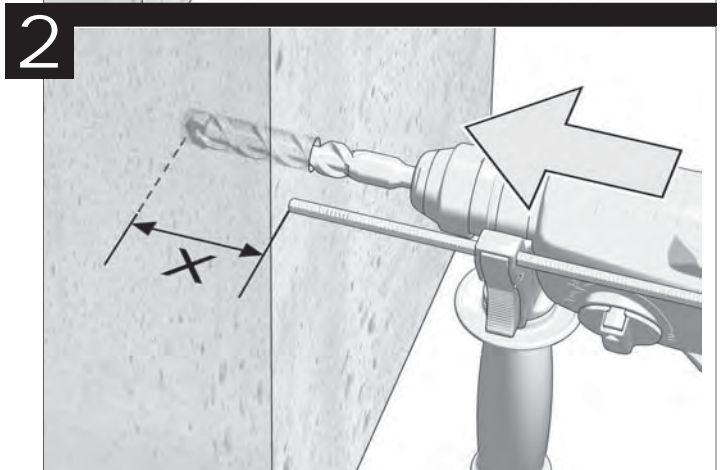
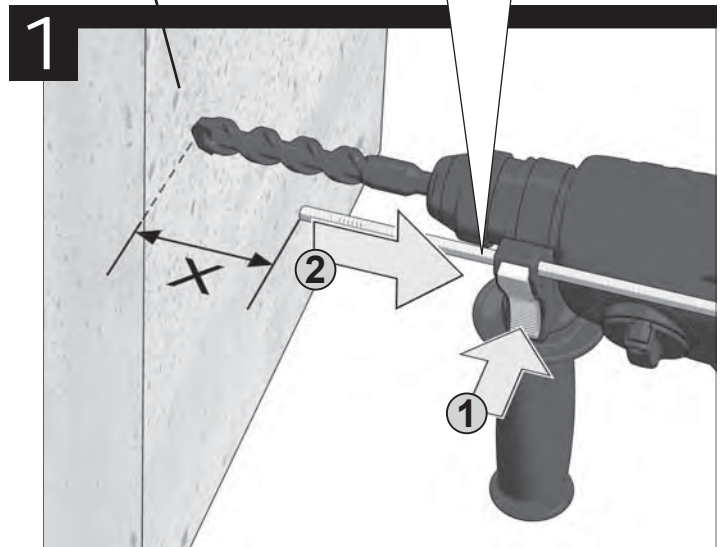
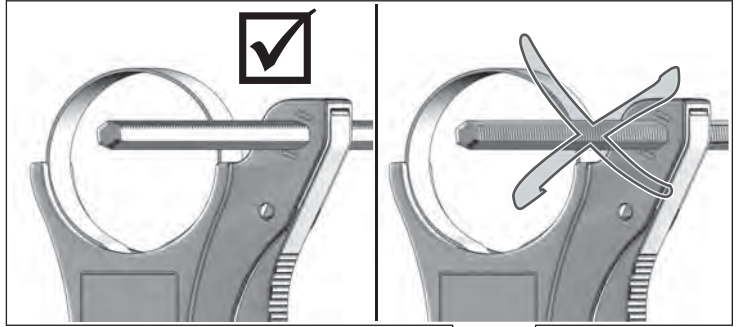
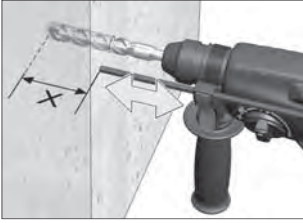






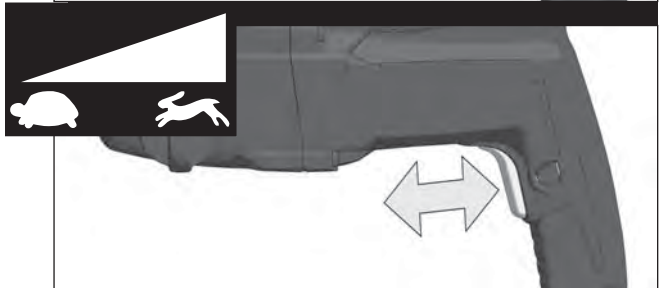
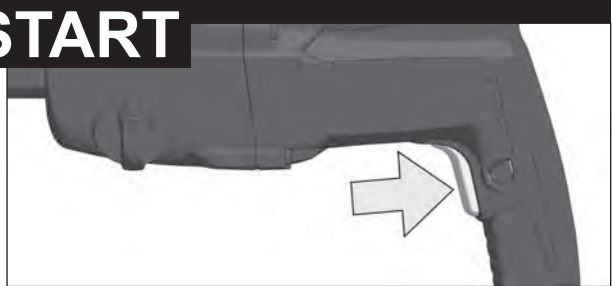




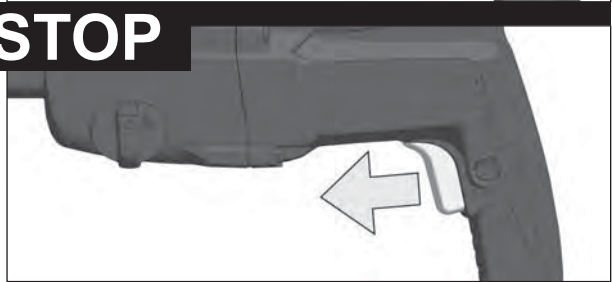




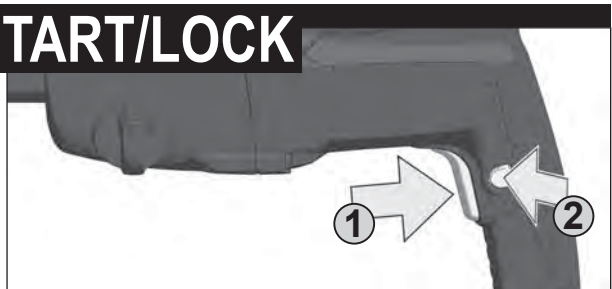
# START



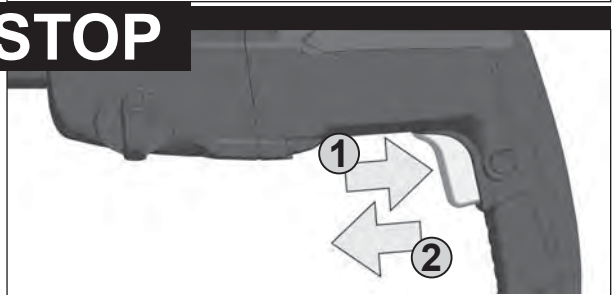
# STOP

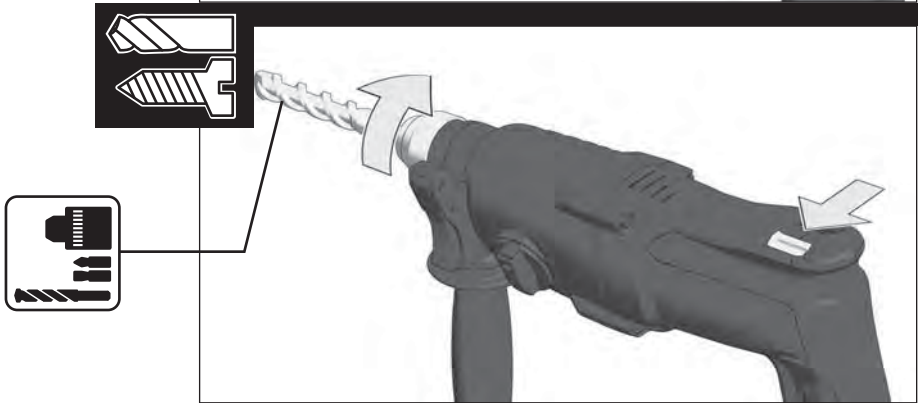
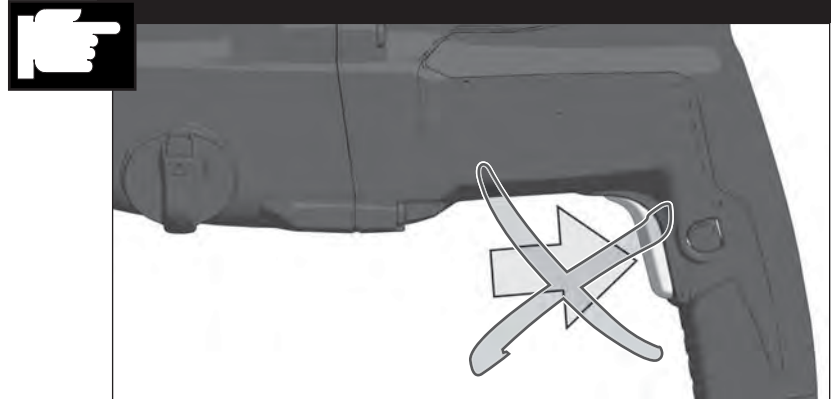


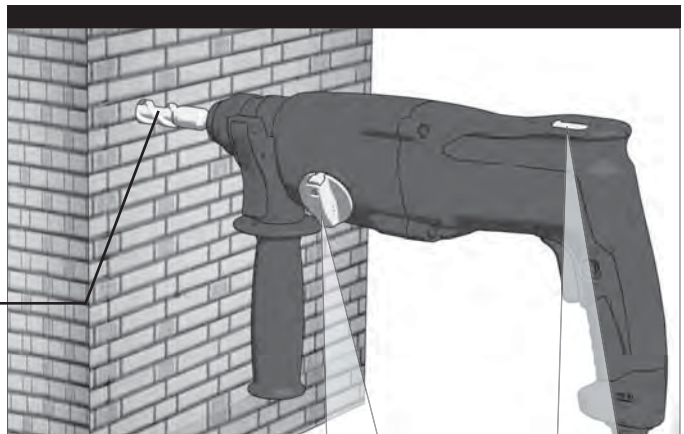
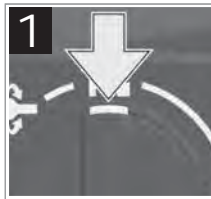
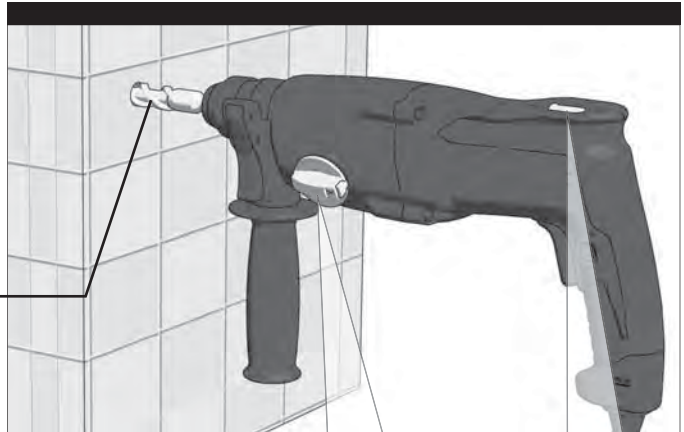
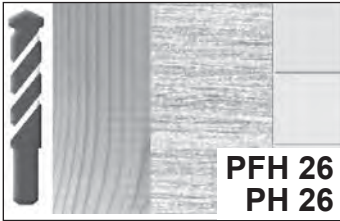
# START/LOCK

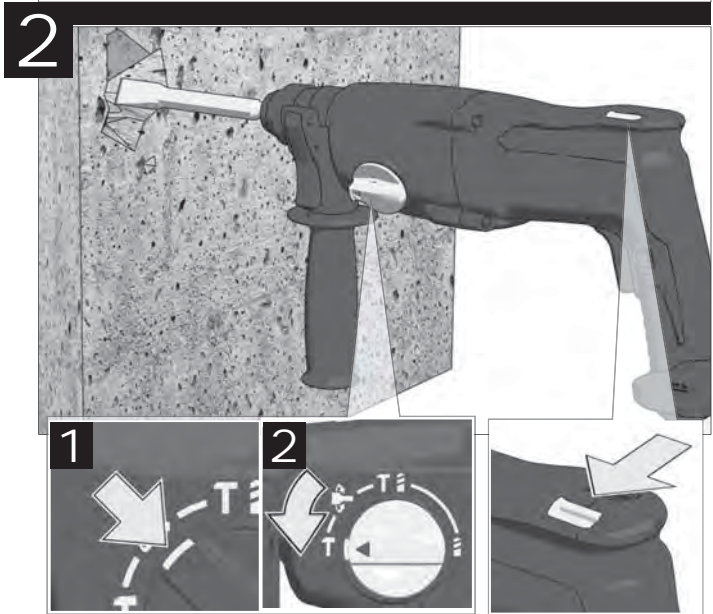
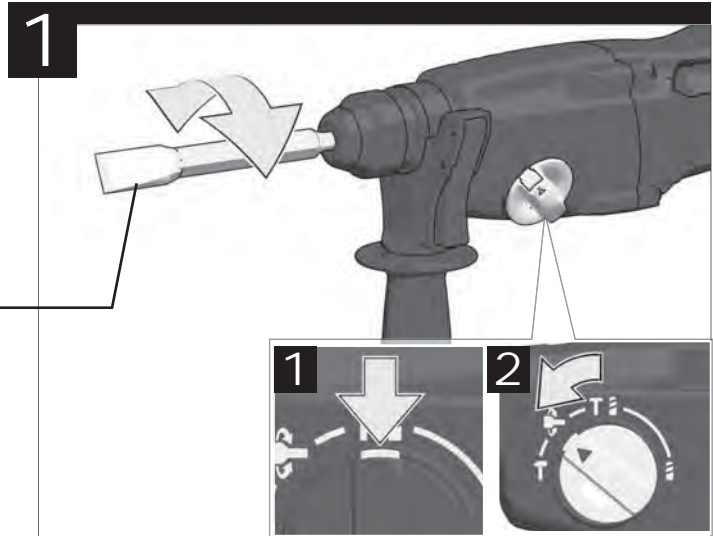


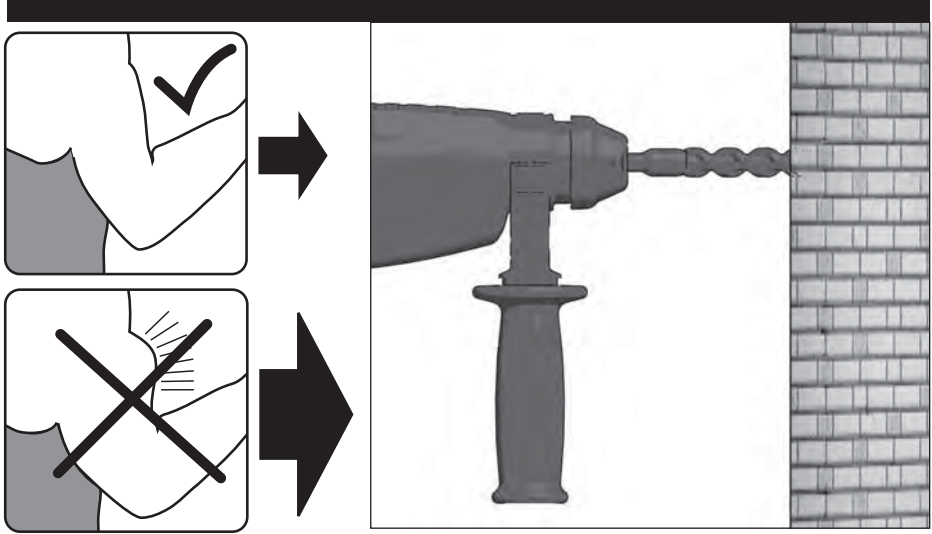
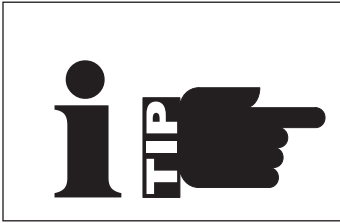
# STOP











TECHNICAL DATA	Rotary Hammer	PFH 26	PH 26
Rated input .....	725 W	725 W	725 W
Output .....	365 W	365 W	365 W
No-load speed .....	1500 min <sup>-1</sup>	1500 min <sup>-1</sup>	1500 min <sup>-1</sup>
Speed under load max. ....	1250 min <sup>-1</sup>	1250 min <sup>-1</sup>	1250 min <sup>-1</sup>
Rate of percussion under load max. ....	4500 min <sup>-1</sup>	4500 min <sup>-1</sup>	4500 min <sup>-1</sup>
Impact energy per stroke according to EPTA-Procedure 05/2009 .....	2,4 J	2,4 J	2,4 J
Drilling capacity in concrete .....	26 mm	26 mm	26 mm
Drilling capacity in steel .....	13 mm	13 mm	13 mm
Drilling capacity in wood .....	30 mm	30 mm	30 mm
Light core cutter in bricks and limestone .....	50 mm	50 mm	50 mm
Chuck neck diameter .....	43 mm	43 mm	43 mm
Weight according EPTA-Procedure 01/2003 .....	2,4 kg	2,4 kg	2,4 kg

### Noise Information

Measured values determined according to EN 60745.

Typically, the A-weighted noise levels of the tool are:

Sound pressure level (K = 3 dB(A)) .....	92 dB (A)	92 dB (A)
Sound power level (K = 3 dB(A)) .....	103 dB (A)	103 dB (A)

### Wear ear protection!

### Vibration Information

Total vibration values (vector sum in the three axes) determined according to EN 60745.

Vibration emission value a<sub>v</sub>:

Hammer-drilling in concrete: vibration emission value a <sub>h</sub> .....	13,5 m/s <sup>2</sup>	13,5 m/s <sup>2</sup>
Uncertainty K = .....	1,5 m/s <sup>2</sup>	1,5 m/s <sup>2</sup>
Chiselling: vibration emission value a <sub>h</sub> .....	- m/s <sup>2</sup>	11,2 m/s <sup>2</sup>
Uncertainty K = .....	- m/s <sup>2</sup>	1,5 m/s <sup>2</sup>

### WARNING

The vibration emission level given in this information sheet has been measured in accordance with a standardised test given in EN 60745 and may be used to compare one tool with another. It may be used for a preliminary assessment of exposure.

The declared vibration emission level represents the main applications of the tool. However if the tool is used for different applications, with different accessories or poorly maintained, the vibration emission may differ. This may significantly increase the exposure level over the total working period.

An estimation of the level of exposure to vibration should also take into account the times when the tool is switched off or when it is running but not actually doing the job. This may significantly reduce the exposure level over the total working period.

Identify additional safety measures to protect the operator from the effects of vibration such as: maintain the tool and the accessories, keep the hands warm, organisation of work patterns.

**⚠ WARNING! Read all safety warnings and all instructions, including those given in the accompanying brochure.** Failure to follow the warnings and instructions may result in electric shock, fire and/or serious injury.  
**Save all warnings and instructions for future reference.**

### SAFETY INSTRUCTIONS

Do not use diamond core drills on hammer mode.

**Wear ear protection when impact drilling.** Exposure to noise can cause hearing loss.

**Use auxiliary handles supplied with the tool.** Loss of control can cause personal injury.

**Hold power tool by insulated gripping surfaces, when performing an operation where the cutting accessory may contact hidden wiring or its own cord.** Cutting accessory contacting a „live“ wire may make exposed metal parts of the power tool „live“ and could give the operator an electric shock.

Appliances used at many different locations including open air should be connected via a residual current device (FI, RCD, PRCD) of 30mA or less.

Always wear eye and hearing protection when using the machine. It is recommended to wear gloves and sturdy non slipping shoes. Sawdust and splinters must not be removed while the machine is running.

Before doing any maintenance work on the machine, pull the plug out of the socket.

Only plug-in when machine is switched off.

Keep mains lead clear from working range of the machine. Always lead the cable away behind you.

When working in walls ceiling, or floor, take care to avoid electric cables and gas or waterpipes.

The dust produced when using this tool may be harmful to health. Do not inhale the dust. Wear a suitable dust protection mask.

Under the effect of extreme electromagnetic interferences from the outside, temporary variations in the speed of rotation could arise in particular cases.

### SPECIFIED CONDITIONS OF USE

**PFH 26:** The rotary pneumatic hammer can be used for hammer drilling and drilling in wood, metal as well as plastic.

**PH 26:** The rotary pneumatic hammer can be used for hammer drilling, chiselling in stone and concrete and drilling in wood, metal as well as plastic.

Do not use this product in any other way as stated for normal use.



## EC-DECLARATION OF CONFORMITY

We declare under our sole responsibility that this product is in conformity with the following standards or standardized documents. EN55014-1:2006+A1:2009+A2:2011, EN55014-2:1997+A2:2008, EN61000-3-2:2006+A1:2009+A2:2009, EN61000-3-3:2008, EN60745-1:2009+A11:2010, EN60745-2-6:2010, 2011/65/EU, 2006/42/EC, 2004/108/EC



Winnenden, 2011-11-14

Rainer Kumpf  
Manager Product Development  
Authorized to compile the technical file

## MAINS CONNECTION

Connect only to single-phase a.c. current and only to the system voltage indicated on the rating plate. It is also possible to connect to sockets without an earthing contact as the design conforms to safety class II.

## MAINTENANCE

The ventilation slots of the machine must be kept clear at all times.

Important note! If the carbon brushes are worn, in addition to exchanging the brushes the tool should be sent to after-sales service. This will ensure long service life and top performance.

Use only Milwaukee spare parts. Should components need to be replaced which have not been described, please contact one of our Milwaukee service agents (see our list of guarantee/service addresses).

If needed, an exploded view of the tool can be ordered. Please state the Article No. as well as the machine type printed on the label and order the drawing at your local service agents or directly from Milwaukee Australia (Toll Free Telephone Number 1300 361 505 Email [Milwaukee@ttibrands.com.au](mailto:Milwaukee@ttibrands.com.au)) or Milwaukee New Zealand (Toll Free Telephone Number 0800 279 624 Email [Milwaukee@ttibrands.co.nz](mailto:Milwaukee@ttibrands.co.nz)).

## SYMBOLS



Please read the instructions carefully before starting the machine.



Always disconnect the plug from the power supply socket before carrying out any maintenance work on the machine.



Accessory - Not included in standard equipment, available as an accessory.



Do not dispose of electric tools together with household waste material! In observance of European Directive 2002/96/EC on waste electrical and electronic equipment and its implementation in accordance with national law, electric tools that have reached the end of their life must be collected separately and returned to an environmentally compatible recycling facility.



Class II construction, tool in which protection against electric shock does not rely on basic insulation only, but in which additional safety precautions, such as double insulation or reinforced insulation, are provided.





Copyright 2011  
Milwaukee Electric Tool  
Max-Eyth-Straße 10  
D-71364 Winnenden  
Germany  
+49 (0) 7195-12-0



(11.11)  
**4931 2897 76**  
**961075279-01(A)**